

THIS NEWSLETTER IS PUBLISHED BY THE
PORT ELIZABETH AMATEUR RADIO SOCIETY

Web site: pears.8m.com

e-mail glaaks@iafrica.com

P.O. BOX 10402
LINTON GRANGE
6015

October 2000

NOTICE OF MEETING

The monthly general meeting of the PORT ELIZABETH AMATEUR RADIO SOCIETY will be held on **Friday 20 October 2000** commencing at 20:00 (8pm) in the Municipal Disaster Management Centre, Westview Drive, Mill Park, Port Elizabeth (Civil Defence Centre).

Dick Schönborn ZS2RS, hopefully aided and abetted by Brian Weller ZS2AB, will tell us about the early development of PE's 2 metre repeaters. This should be good listening!

Also, since rally debriefing was held over from last month because our comms organisers were unable to be present, rally operators will have the opportunity to offer any comments on the arrangements.

Tea, coffee and blikscuits will be available. About a buck a cup with munchies seems to be the going price.

Wrinkly Ravers

The next rave is scheduled for **Thursday, 2 November 2000**. Beavan has arranged for us to visit the Air Traffic Control centre at the PE Airport around 11 am before moving to a restaurant for lunch. Just *which* restaurant has not yet been decided, *so please listen to bulletins for final details*.

Please note that the size of the groups touring the ATC centre must be limited to about 10 for practical reasons. It is imperative, therefore, that **anyone who wishes to participate should let Beavan ZS2RL know early** so that the hosts may be informed how many groups they need to cater for. Contact Beavan at tel. 360-6968 or on the after-bulletin nets.

The September get-together in Aston Bay took the form of a luncheon at a cosy little restaurant organized by Peter ZS2PL and there was a bumper turnout, including several from the JayBay area and even Ken ZS6KMC (now ZS2KMC), who has

relocated to Plett from Gauteng

The wind blew somewhat unpleasantly as we assembled at the parking area at the silted-up lock of the Marina. However, it did nothing to dampen the spirits, although Alan's hat blew off and he suffered a light injury when he chased it across the rocks.

From the assembly point, Peter gave the convoy a radio-guided tour of the developments along the route and finally led us to the restaurant, where we enjoyed the personal attention of the proprietor and his XYL.

It was agreed that a similar outing should be repeated every six months or so.

VISIT TO PLETTENBERG BAY

The annual visit to the farm of Nita and Roger Davis ZS1J will take place on **Saturday, 18 November**. As usual, it will take the form of a bring and braai, the fires and grids for which will be provided by Roger. **There will also be a boot sale.**

Please let Bill Hodges ZS2ABZ know (tel. 581-2580) if you plan to attend, and whether you require a lift or have a spare seat in your vehicle.

Bring your valuable 'junk' too, and swap

it for someone else's, with a cash adjustment.

TO REACH THE VENUE:— About 12 km west of Plettenberg Bay on the N2, near a cellular telephone tower, you will find a dirt road crossing, with a signpost indicating an airfield to the south.

Turn southward down this gravel road (provincial route P1770) and 3½ km along, you'll find the farm WHITEWEBBS on the right. That's the place!



The Chairman's Chat

*I*n the previous issue of QSX I touched on the subject of good on-the-air behaviour, and mentioned that PEARS had lodged a complaint with the SARL concerning the content of certain packet messages originating from a ZR6. It also seems that the said individual has a long history of making a nuisance of himself on his local repeater network.

The SARL and ICASA (the successor to SATRA) are serious about sorting out this kind of problem, and my information is that the gentleman concerned (wrong descriptor, but never mind!) will probably have his coax cut for a meaningful period of time.

It was good to see Bud ZS1B / ZS2CA and XYI Vaughn back in the Eastern Cape for a brief visit. As was announced on the appropriate bulletin. Bud gave a very interesting talk cum slide show on their island DX expeditions, plus his visit to Antarctica. To those that did not attend, you missed a great show!

It is in the air that around November sometime we will be enjoying another get-together with our fellow hams down Knysna way, the folks we often hear but rarely see. Of course, the whole idea behind these events is to redress that shortcoming. In advance, a 'thank you' to Roger ZS1J and Nita for agreeing to play host to a horde of unruly hams once again.

The rally debrief was supposed to take place at last month's meeting, but apparently it was decided to postpone it to this forthcoming meeting, when I will be back from my gallivanting. What does that imply?! Speaking of rallies etc., thanks to Garth for helping to distribute the wine kindly donated by Mark Pym.

See ya' all at the next meeting.

73.

Beavan ZS2RL

HAMNET / ECARES NEWS

Enclosed in this issue of QSX is a centre spread showing the NEARNET network, the amateur radio network and the link-up between the two systems.

Jo ZS2W has a sister and brother-in-law staying in the Elands River area and they do some of the NEARNET roll calls for this area in the evenings. As a result of talks between us, I met the chairman and secretary of their Farmers' Association and had a long chat about the NEARNET system and amateur radio.

A spin-off is that both wish to become radio amateurs. The Chairman, Allan Whitehead, has joined PEARS and is attending RAE classes. The Secretary, his nephew Colin, is also studying for the RAE.

PRC261 Evening

On Wednesday, 2 August we had two or three PRC261 stations operational on our net with good results and it added interest to the net. I am sure there are more PRC261 sets around and it was a pity we did not have them on too.

New Member

We welcome Cyril ZR2H to ECARES. This brings the membership up to 50. Cyril has a PRC77 and reports in to our Wednesday evening nets. Nice work, Cyril.

73,

Al Akers ZS2U
Provincial Director,
Hamnet East Cape/ECARE

STOP PRESS

Condolences

We were extremely saddened to learn, just as QSX was about to be handed to the printers, of the sudden passing of OM Schalk ("Van") van der Merwe, ZS2Y, on Monday, 9 October 2000 after a short illness.

Schalk was a long-standing member of the PE Branch and a founder member of PEARS, and our Society bestowed Honorary Life Membership on him in recognition of his tremendous contribution to ham radio over many years.

We extend our heartfelt condolences to his XYL, Sheila, and all the family on their loss.

Schalk will be missed.



Instant Printing

FOR ALL YOUR
PRINTING REQUIREMENTS

9 St. Patricks Road, Port Elizabeth 6001

Telephone: (041) 585-2614

Try us for your QSL cards!



NEWS FROM THE SARL

QSL CARDS

The QSL Bureau reminds members that, by international agreement, the dimensions of QSL cards should be not larger than 140 x 90 mm. This agreement has been in operation for a number of years and the QSL bureau will not handle oversize cards as from the end of October 2000.

SILENT KEY

SARL HQ recently announced the passing of Dick Andrews ZS5FB of the Midlands Amateur Radio Club. He died unexpectedly on Sunday, 10 September.

Dick was a member of long standing with the MARC, having served on the committee variously as Chairman, Vice Chairman and Secretary. He joined the SARL in 1957 and served on Council for six years, looking after the portfolio of Contest Manager.

Dick was an honorary life member of the SARL and one of only a few members who held all the SARL awards. He was a regular and popular attendee at League AGMs and will be sorely missed by delegates and visitors at future AGMs. We extend our condolences to XYL Marie and family.

SARL ELECTRONIC CALLBOOK NOW AVAILABLE

The SARL reports that their Electronic Callbook is now available to SARL members, who may install this program and database on their own PCs to facilitate call sign lookups at any time.

The callbook was distributed to members with the August issue of Radio ZS. It is also available for

download in the member's-only section of the SARL web site at

www.sarl.org.za.

The SARL details the following as 'a few of the major features in this all-new electronic callbook':

- The database can be updated at any time from the SARL web site.
- The program maintains two databases – the SARL database and the Personal database. The latter allows you to add your own entries for hams anywhere in the world, and update existing entries for ZS hams.
- The new Browse/Search function is extremely powerful. This function searches for a given string on call sign, surname, name and town at one pass. As an example, if you know that a call sign contains 'HZ', you can search for all call signs which contain those letters. The program then presents a list from which you can usually determine the required entry.

Unfortunately the 'address' consists of the town alone – so it does not help for QSLing or visits. I would have liked an option for searching only specified fields, e.g. just the call signs, or only the names etc. As it is, every entry in which the search string is found is listed, even if it spans two words. For example, a search for the string "HB" will list not only all the call signs with HB but also entries containing Cuthbert, South Bend, etc.

The callbook database is an extract from the SARL HQ database. Information for SARL members is obtained from members as they advise the SARL, mainly updated each year when subs are renewed. Information for non-members is the best available, but the SARL says it is not able to

obtain licence information from ICASA so information may be missing or out of date.

I wonder why that is. The printed callbook always contained details from the official list. A quick count of the electronic entries comes to around 3200 but there are undoubtedly a lot more licensed hams in the country than that. This means that there must be a large number of licensees to whose details the League does not have access. This seriously detracts from the usefulness of the electronic callbook. Is there any significance in the fact that 3200 was the number to which SARL membership peaked before the wheels fell off?—Ed

Hard copy available

Those members of the SARL who want a *printout* of the callbook can obtain one from League HQ at a price.

Mossie ZS4XJ raised a thorny query on a President's net as to why members should pay for a printout. He feels that those without computers for various reasons are being discriminated against.

His objection is probably valid. There are several reasons why members might not own, or be able to use, computers. Mossie himself is blind. Even those who *do* have the devices may have to share them with the family and so cannot look up a callsign at the drop of a hat.

The stiffy disks carrying the callbook program were donated to the League, doubtless representing a considerable saving. The donation should surely benefit *all* the members and at least those who need a hardcopy printout for a good reason should be accommodated free of charge.

PRESIDENT'S NET

The President's net comes up on 7082 kHz at 12:00 every Sunday. Most times the President himself, Hans Potgieter ZS6ALJ, is in attendance but, if he cannot make it, another councillor

stands in.

Unfortunately, for many months now conditions on 40m have become very poor by this time of day and would-be participants down in the southern part of the country are lucky if they can follow the proceedings even with extreme difficulty. It is occasionally possible to get somebody to relay but this is not conducive to a satisfactory discussion.

Some time back it was said that a 30m link might be provided, but this has not materialized.

CW PRACTICE SESSIONS

Bryan Haefele ZS2BH has offered to once again run daily (Monday to Friday) CW practice sessions on 2 Metres. They will last for 30 minutes each, at a time that suits the majority of learners between 7 and 8pm.

Bryan proposes to use the Town repeater, 145,650.

All interested are asked to contact Bryan at tel. 365-4100.

HAMSPEAK

Talking the other day about misunderstandings arising from the use of jargon reminded me of the newly licensed ham couple in Umtata who, for a visit to their old home town, Cape Town, borrowed a 2 metre mobile rig. As they crossed Sir Lowry's Pass around 7am on the Monday with their rare S8 call signs, they were inundated with calls from many other mobile operators, all of whom said they were on their way to the 'salt mine'.

The couple were amazed at this obviously new mining development – In all the years they lived in the Cape they never knew of a salt mine in the area, especially one of such size that just about every ham worked there! ☺

DRY CELL CHARGER

condensed from *EVERYDAY ELECTRONICS* by VIV MOORE, ZS2VM

There are advantages to recharging dry cells as opposed to NiCads. Firstly the capacity of dry cells (especially alkaline) is much greater than that of NiCads. The biggest argument for recharging dry cells, however, is cost. NiCads cost a small fortune, while "used" dry cells are effectively free since they are usually thrown away.

The chemical process involved in discharging a typical cell is shown in Fig.1. When in use the anode, often zinc, is oxidized, forming zinc oxide. This oxygen has come from the cathode, which has been reduced. (Different processes occur in different types of cell but these are best left to chemists).

To recharge this cell we have to get

the zinc oxide back to zinc. This is a process similar to electroplating. The electroplating industry has found a way to produce successful results. The solution is known as *periodic current reversal* (PCR). PCR, as its name suggests, consists of reversing the current flow at regular intervals.

When PCR is used to recharge dry cells the internal structure is not distorted and the cell can be successfully recharged without risk of leakage. It should be noted at this point that dry cells can only be recharged about 20 times before the capacity drops off.

Some guidelines are necessary for safe and efficient recharging. It would be irresponsible to publish a recharging circuit without them. (A little bit of knowledge...)

1. Recharge using PCR does *not* use DC.
2. Limit the forward and reverse currents (see Table 1).
3. Limit the recharge time, or in other words do not try to put more energy back into a cell than it originally contained.
4. Recharge soon after discharge as cells left in a discharged state for a long period of time (more than a few weeks) will not accept a recharge.
5. Do not fully discharge cells. Some cells, especially zinc chloride, dry

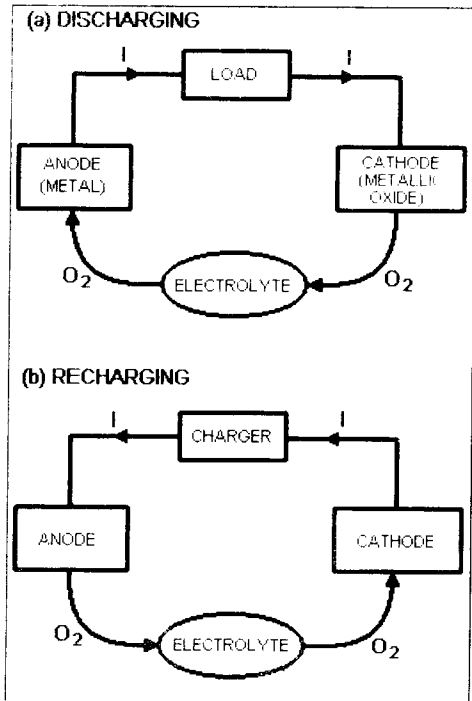


Fig. 1. Chemical process involved in discharge and recharge

out as they discharge. If a cell fully dries out, the chemical reactions cannot be reversed so the cell cannot be recharged. In practice this means stopping using cells when the radio begins to distort or the torch bulb seriously dims.

6. Use cells from reputable manufacturers. These will be better quality so will last longer and are less prone to leakage.
7. Do not keep cells for long periods of time. Cells get more prone to leakage as they get older. Discard cells after one or two years.
8. Only use the PCR Recharger described here with zinc carbon, zinc chloride, alkaline and Ni-Cad cells (these are the most common anyway).

To recharge cells, a current of the correct magnitude that will be reversed at regular intervals is required. The frequency at which this reversal occurs is not critical so it makes sense to use the mains frequency (50Hz). Obviously applying an ordinary alternating current

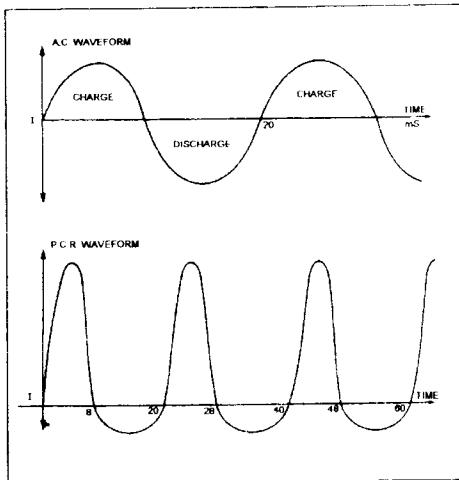


Fig.2. Standard a.c. and PCR a.c. waveform

to a battery will achieve nothing as on positive cycles it will charge the cell but on negative cycles it will discharge the cell (Fig.2).

What is required is a waveform where the forward charge current will be greater than the reverse current. This can be achieved by biasing the a.c. waveform to give it a non zero average.

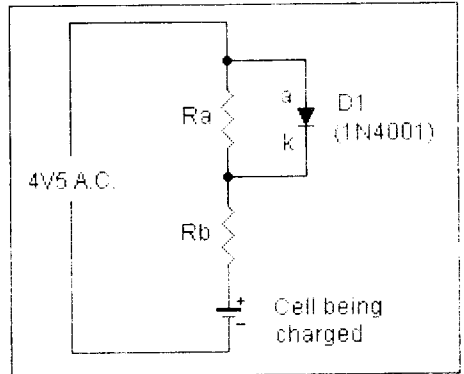


Fig. 3. Basic PCR charging circuit

A simple way of achieving this is to shunt a resistor with a diode. This leads to a very simple circuit shown in Fig.3. When current is flowing in the forward charge direction it will flow through the diode, bypassing Ra, and then flow through Rb.

This will give a current of $I = (4.5 - 0.7) / R_b$, the 1.5V being the voltage from the cell when it is recharged and the 0.7V being the voltage drop across the diode.

When the current flows in the opposite direction it passes through both Ra and Rb (the diode is reverse biased so no current will flow through it). The reverse current is given by $I = (4.5 + 1.5) / (R_a + R_b)$.

The most efficient ratio of forward to reverse currents is about 5 to 1. To make the charger compatible with

NiCads standard NiCad charging currents have been used.

As a design example, AA size batteries require a forward charge current of 50mA. Rearranging the equation for forward charge current we get $R_b = 4.5 - 1.5 - 0.7 / 0.05$. This gives a value of 46 ohms. The nearest available resistor is 47 ohms

CELL SIZE	AAA	AA	C	D
R _a	1k500(1/4)	560(1/4)	220(1/2)	680(1/2)
R _b	120(1/2)	47(1)	18(1/2)	68(1/2)
T1 RATING	1VA	1VA	2VA	5VA

Figures in brackets show power ratings for resistors
 NB—For standard (1200mAh) D size Ni-Cads, use values as for C size. For industrial (4000mAh) use D size values.

Table 1 - Resistor selection for various batteries

The reverse current (one fifth of the forward) should be 10mA. Rearranging the reverse current equation we get $R_a + R_b = (4.5 + 1.5) / 0.01$. This gives a value of R_a of 553 ohms. The nearest available value is 560 ohms.

The power rating for the resistors and transformer must also be

calculated. All the necessary values are in Table 1.

The full circuit diagram (Fig.4) allows for four cells to be charged at once. A higher rated transformer will be required if you wish to recharge more than four cells at once.

Note, however, that an even number of cells should be recharged at one time. This ensures that a balanced load is provided to the transformer. Note, too, that the diodes and cells are reversed in each section of the circuit.

Construction (Fig.5) should cause no problems due to the simplicity of the project. The exact components used will depend on the size of batteries you wish to recharge.

The circuit is built on a piece of stripboard, the size of which can be chosen to fit into the box used, the minimum sensible size being 12 strips by 21 holes.

The only question is how long to charge cells for? This depends on what type of cell is being recharged and how discharged the cell was in the

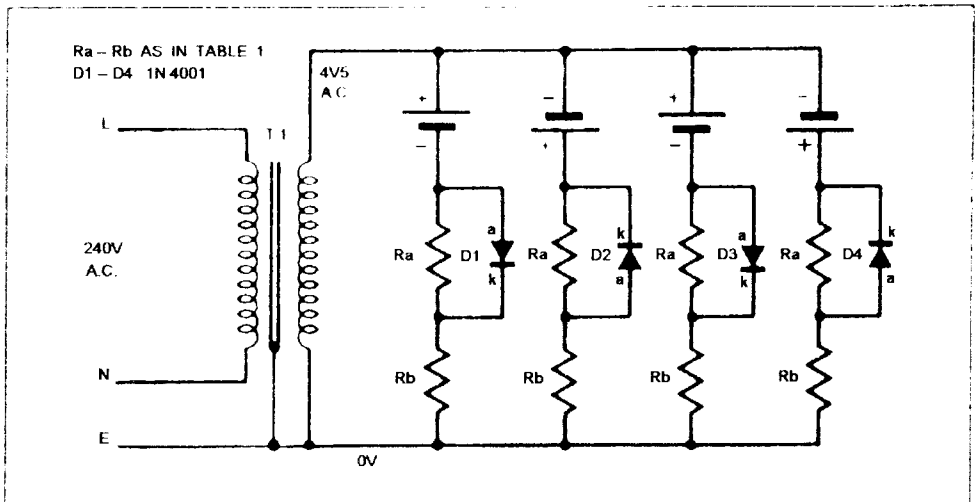


Fig. 4. Complete circuit of the Dry Cell Recharger

first place.

Zinc carbon and zinc chloride cells usually require 12 to 18 hours to recharge. Alkaline cells, since they have much higher capacities, require 24 to 36 hours.

Recharging should be halted when a cell gives a slightly lower reading than a new cell. [Or, I suppose, if you hear a loud bang and your cell looks like a firecracker?!?! – Ed]

Do not try putting more into a cell than it originally contained as it could leak. ☹

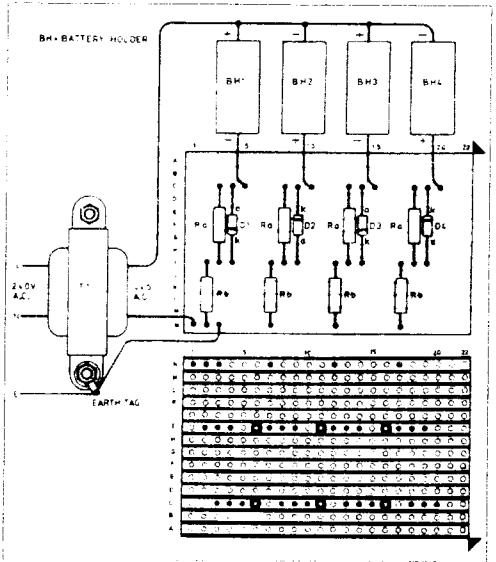


Fig 5. Construction of the Dry Cell Recharger

ZS DIVISIONS

Several years ago, for internal reasons, the Authorities decided to use the Post Office's publication *List of Post Offices* to determine in which ZS division a licensee resided. The deciding factor was which *Regional Director controlled the town's post office.*

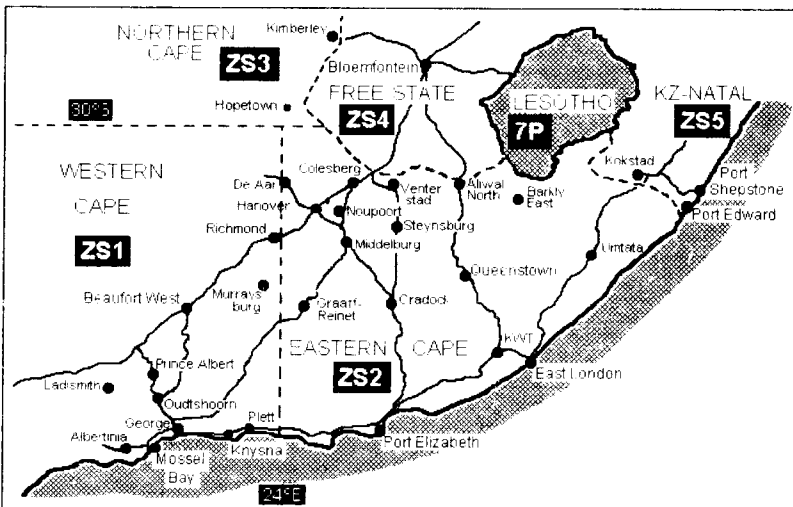
For example, the Southern Cape,

previously controlled from Cape Town, was transferred to Port Elizabeth's control, which meant that call signs were now being issued as Division 2 while ZS1's also still existing there. Places like Barkly East and Aliwal North became ZS4.

Arising from all this, mobile operators in particular never knew which division to tack

onto their call signs and many friendly arguments arose.

An ICASA official has informed QSX that they have reverted to the old dividing lines, which means that Storms River is once again the approximate ZS1/2 border (actually 24°E). The Orange River divides ZS2 and 4 again. ☹



MINUTES OF THE MONTHLY GENERAL MEETING OF THE PORT ELIZABETH AMATEUR RADIO SOCIETY, HELD AT THE MUNICIPAL DISASTER MANAGEMENT CENTRE, MILL PARK, PORT ELIZABETH ON FRIDAY 15 SEPTEMBER 2000

Welcome: The Acting Chairman, Garth ZS2HB, welcomed those present, especially mentioning ZR2AB1 and ZS2PJP and ZS2GN from Port Alfred.

Present & Apologies: As noted in the attendance register. Apologies received from the floor for ZS2AF, ZR2EY, ZS2RE, ZS2AAW, ZS2MM, ZR2T, ZR2JRD and ZR2BBR.

Minutes of the Previous meeting: Proposed ZS2FHB, Seconded ZS2ABZ.

Matters Arising:

- The WIFAX transmitter has been repaired by ZS2AAW and will soon be reinstalled
- A special thanks to ZS2RE was recorded for his organizing of the recent Club Social at the Swartkops Yacht Club.

Finance: The Treasurer reported that all was well with the Society's financial position. The monies for the November RA1 exam had been transferred to the SARI. The R150.00 registration fee for next year's Scifest will be attended to.

Correspondence: A letter received from ZS2PP in Port Alfred requesting the Club to approach someone in authority to have the offending RI interference emanating from the yacht harbor officially dealt with, to be attended to.

Youth Affairs:


- At the last committee meeting ZS2RE indicated that the Technikon would be interested in hosting an amateur radio club on its premises. The Society would also be welcome to use this facility as a club venue. Greg to investigate further re youth club and report back to Committee. The meeting was not over-enthusiastic about moving the PEARS club venue to the Technikon.
- ZS2RE and his counterpart in Durban propose that we run a special event with stations communicating between the two regions on HF, possibly making use of the HF link in the repeater system. Agreed that Greg pursue the matter.

General:

- SARI had replied to the letter sent by the Society requesting that they investigate the offensive comments in packet messages sent by ZS6CPB. They had referred the matter to ICASA with a recommendation that his licence be suspended for at least six months.
- A letter would also be written to ZS2NR requesting that he tone down his robust comments on the air.
- Another get-together at the QTH of ZS1J in Plettenberg Bay possibly during November was proposed.
- A visit to Air Traffic Control at the PE Airport by the Wrinkly Ravers would be arranged soon.
- Volunteers who wished to man two JOTA stations on 14 October, were asked to contact ZS2FHB.
- Thanks went to ZS2ABZ for erecting and manning a special station at the recent Bibliathon.
- It was reported that the Knysna repeater is now operating on a mains power supply.
- ZR2NT received two boxes of club library books from ZR2DH who had the club library at his shop. A decision would have to be made as to where the library would be kept. ZR2H1 suggested that the books be donated to the public library. Another suggestion was that we dispense with the library and auction off all the books.
- Michael Mkrakra made mention that he knew of some telemetry radios that were available to hams.
- ZS2HB suggested that interested members get together at a shooting range to shoot off their old ammunition. This was received with enthusiasm. ZS2ACP would be asked to co-ordinate the event.

Seeing that the principal members were not at the meeting, it was decided to put off the VW Rally debriefing till next month's general meeting.

The meeting closed at 20h40.

After tea a video by Alex, ZR2T of the VW Rally was shown and Neil, ZR2NT gave an interesting and eye-opening talk on welding. 



PEARStalk

RAE LOOMS

Next month's QSO will come out too late to wish our RAE candidates well in the RAE on 9 November, so we do so now.

Read the questions carefully before selecting your answers. But most important of all, before the exam date get in as much revision as you can.

DIV 4 BEAMING TO PE ON 2M

Nico Schoonwinkel ZS4NS of Welkom is radiating CW signals on 2 metres nightly in the direction of Port Elizabeth. The transmissions take place between 20h30 and 21h00 SAST on 144.200Mhz.

Nico's transmission will act as a beacon to indicate tropospheric openings between the Eastern Cape and the Free State.

Mike ZS2FM says that the new FM DX frequency of 144.400mhz has become active again and recently, after 21h00 SAST, three East London stations ZS2AC, ZS2AH, ZS2IV were logged in Port Elizabeth.

JOTA

There has been some confusion since the PE Scouting people informed us a while ago that JOTA would take place on 14/15 October, and not 21/22 as previously announced. This followed earlier confusion arising from the SARL's diary of events for 2000 showing the date as 20/21 October – a Friday and Saturday!

Although it has now been established that international JOTA

weekend is 21 and 22 October, local Scouts are unable to change their planning and so, in PE we will 'go it alone' on 14 October. PEARS is planning to set up two JOTA stations, one at the Cotswold Scout Hall and the other at a scout hall near St Georges Park.

The stations will operate on Saturday 21st only. Please contact Ewald ZS2EHB if you can help. His telephone number is 933-3482.

The scouting organisers here in PE are making a concerted effort this year to become more involved in JOTA. We have been assured that there will be no competition from Internet this time.

Let's not let our side down. The more operators there are available, the less time each one will have to spend at the station. Ewald plans to run several modes to make things interesting.

ARISS HAM GEAR REACHES DESTINATION

The initial station equipment for Amateur Radio on the International Space Station (ARISS), plus supplies that the ISS Expedition 1 crew will need later this year, were delivered to the ISS last month.

After entering the station itself, astronauts and cosmonauts worked to unload the cargo – including the ham gear – from the shuttle Atlantis and a docked Russian Progress rocket and to prepare the ISS for its first crew.

There was no amateur radio operation during this exercise. Ham activity will only take place from the ISS when the Expedition 1 crew

arrives in early November.

UK REPEATER OPERATIONAL ON 10 m

The UK's first 10 metre repeater, GB3CJ in Northampton, came into service on 23 September. It transmits on 29,640 and receives on 29,540 MHz, and requires a 77Hz CTCSS access tone.

The Radiocommunications Agency has indicated that it is prepared to consider further applications for UK 10 metre repeaters once GB3CJ has proved itself, so it will be interesting to see the results.

WEFAX

Chris ZS2AAW has repaired the faulty receiver section for the WEFAX unit and it should be up and running again as soon as it is re-installed at the P.E. Museum.

Chris is also hoping to upgrade the unit's transmitter some time in the near future.

Colin ZS2AC is required to do the installation personally because it is on his salt mine's premises. He is unfortunately experiencing considerable (and increasing) demands on his time there so we are grateful to him for making time to attend to our toys.

PHASE 3D LAUNCH CAMPAIGN UNDER WAY

The launch campaign for the next-generation Amateur Radio Phase 3D satellite has begun at the European Spaceport in Kourou, French Guiana, where the satellite has been in storage for several months.

Phase 3D is tentatively set to go into space aboard an Ariane 5 rocket no earlier than 4 November. A specific launch date has not yet been announced.

The satellite's batteries have been

recharged, and RF testing of transmitter and receiver systems has gone smoothly. The team earlier carried out propulsion system pressure tests.

CAVITY FILTERS DONATED

Many thanks to Neville Roebert ZS2NR for his donation to the Society of two cavity filters.

Thanks also to André Mulder ZR2A for collecting them in King William's Town and holding them in Grahamstown for collection by Chris.

The filters will be put to good use on the PEARS repeater system.

A LOT OF BULL!


At a national championship pistol shoot in Bloemfontein recently, André Botes ZS2ACP gained a gold and a silver medal. Congrats, André. Olympics next?

HOW'S YOUR AIM?

We want to arrange an outing to a shooting range in order to give members and their families a chance to brush up on their gun-handling abilities and see whether they can still hit a target.

It will also provide an opportunity to fire off your older ammo, especially if you have a brand that tends to misfire when it ages. I gather that better brands have virtually no 'sell-by' date, but I don't like to take a chance anyway.

Mindful of the looming legislation slashing the number of guns one may possess, you may wish to simply shoot off the ammo for those that you will have to get rid of.

Keep an ear on bulletins for further information. 

Congratulations...

on your birthdays:

October

- 25 Jim France ZR2JRF
- 26 Stoffel Carr ZS2C
- 26 Andries van Wyk ZS2P
- 27 Ria de Vos XYL of ZS2ABY
- 27 Dean Russouw
- 29 Pat Pullinger ZS2PJP
- 29 Noel Staples ZS2AAS

November

- 3 Jack Moolman ZS2KU
- 5 André Botes ZS2ACP
- 6 Viv Moore ZS2VM
- 8 Martin Ras
- 9 Jeanette Mulder XYL of ZR2A
- 11 Nicolas Thomas ZR2NDT
- 12 Ed Langley ZS2PU
- 14 Dot Clarke XYL of ZS2MF
- 15 Richard Borello ZR2RB

on your anniversaries:

October

- 24 Jo ZS2W & Al Akers ZS2U
- 25 Martie & Richard Borello ZR2RB
- 29 Helen & Noel Staples ZS2AAS

November

- 1 Soekie & Jack Moolman ZS2KU
- 3 Dot & Ron Clarke ZS2MF
- 5 Betty & Isaac Greeff ZS2ZG

on Passing the CW Test Syd Weatherall, who has entered privately for

the RAE next month but decided to get the CW behind him first. Syd breezed through the test.

on your Award Pam Hopper ZU1PAM, who received a framed award for 50 years' service to the Girl Guide movement. (Pam also previously received the Port Alfred Citizen of the Year award. Quite a girl and we're proud of her!)



Welcome to New Member Ken Corlett ZS6KMC, who has moved down from Gauteng to Plettenberg Bay. We're happy to have you with us, Ken.

Sick & Injured: Jack Moolman ZS2KU had a heart attack on 2 October. He is recovering and sends greetings to all.

Vicky Ansell planned to have a hip replaced but found there would be complications. Happily, some new medication seems to be doing wonders for her, rendering replacement unnecessary.

Change of Call Sign: Ewan Mathieson, ex ZS2EN, who moved to Somerset West some time ago, has now received the call ZS1EM.

• Ken Corlett, ex ZS6KMC (see Welcome above) is now ZS2KMC.

FOR SALE ★ WANTED ★ SWOP

WANTED

- * Baycom modem — Viv Moore ZS2VM, tel. 360-4433
- * Two metre receiver, nothing fancy, for eager RAE student — Garth Laaks ZS2HB, tel. 368-1101

WRINKLIES DOING WHAT THEY DO BEST

The October Wrinkly Rave was held once more at the now refurbished Zwartkops Yacht Club venue and all agreed that the food was not only really excellent, but also plentiful and nicely presented.

It seems that the proprietors even laid on special VIP transport for the Chief Wrinkly, Ken Tremeer ZS2BWB (who is often addressed with due



awe and veneration as 'Oh Crinkle Cut') and XYL Judy.

Their carriage arrived just after they made their departure from the dining room (photo ABOVE).



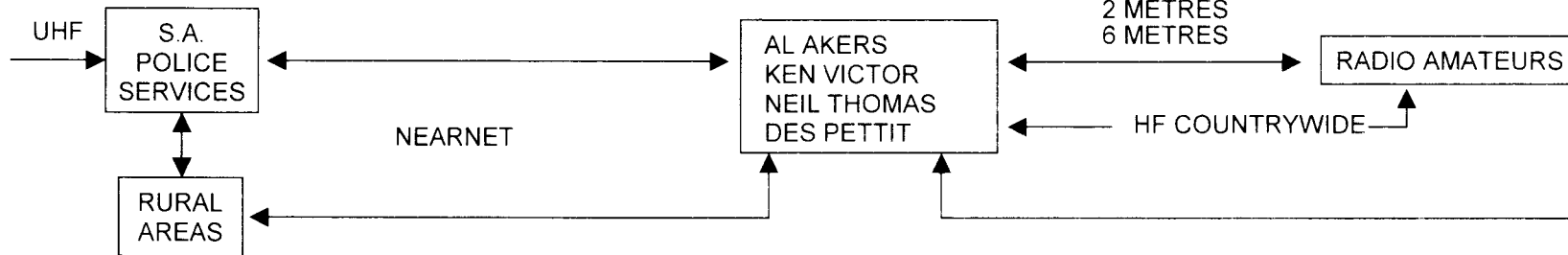
(LEFT): Some of the Wrinkly Ravers caught in the act in the improved Zwartkops clubhouse restaurant.

In spite of the improvements, the Wrinklies propose to take in other venues from time to time, apart from arranging visits to places of interest (such as the planned visit to the ATC centre on 2 November), followed by a luncheon at a convenient restaurant.

EAST CAPE RADIO EMERGENCY NETWORK

PORT ELIZABETH & SURROUNDING AREA

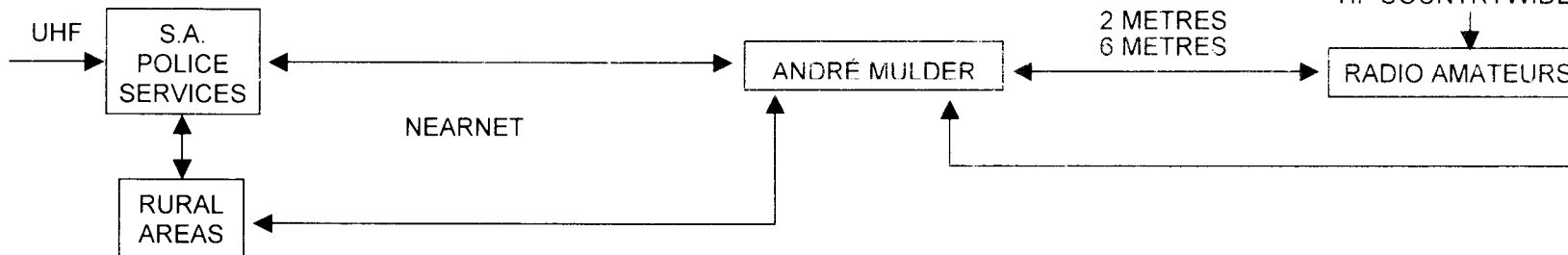
NAME	AMATEUR CALL	NEARNET CALL
AL AKERS	ZS2U	12308
KEN VICTOR	ZS2OC	12300
NEIL THOMAS	ZR2NT	60613
DES PETTIT	ZS2ABU	60612



CAPE TOWN

GRAHAMSTOWN & SURROUNDING AREA

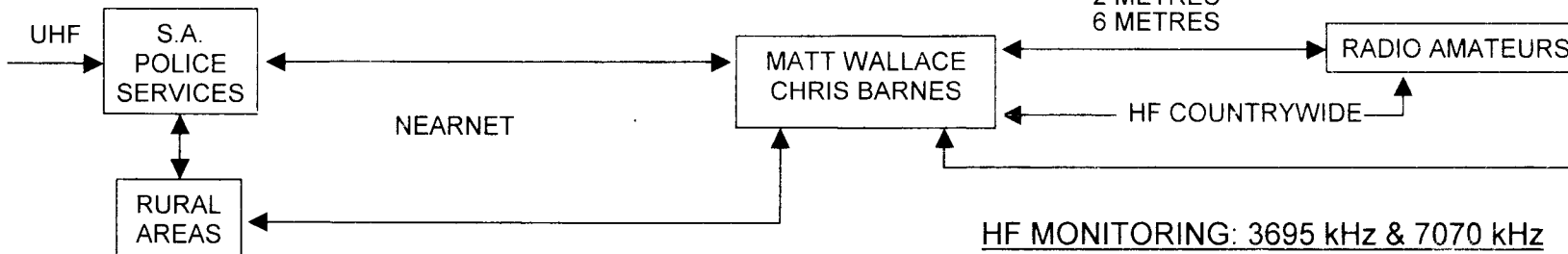
NAME	AMATEUR CALL	NEARNET CALL
ANDRÉ MULDER	ZR2A	25525



CRADOCK

EAST LONDON & SURROUNDING AREA

NAME	AMATEUR CALL	NEARNET CALL
MATT WALLACE	ZS2MW	34162
CHRIS BARNES	ZS2S	34161



TWO METRE
COASTAL LINKED
REPEATER NETWORK

BUTTERWORTH

HF MONITORING: 3695 kHz & 7070 kHz

EAST LONDON

CENTENARIAN CHALLENGE

A Letter from Ken Tremeer, ZS2BWB

In the July issue of QSX, Fred (ZS2JS) was attributed to being the world's oldest active amateur. In fact, PEARS holds a *world record*, in as much that amongst its members, it contains *two* of the oldest Hams!

It is with extreme effort and drain on my antiquated and diminishing strength that I write to you, to point out that our fraternity did not acknowledge that I had also reached my 101st year in radio. I know exactly how disappointed Fred must have felt when no one took the trouble to congratulate him on attaining this memorable landmark! Unfortunately the regret I feel for my myself, will hopefully pass, as they commit me to my "deep six" in the future

Although my memory is at times fickle, I remember with clarity significant events and personalities associated with radio development in the past and of rubbing shoulders with such greats as Samuel Morse, Marconi, Hertz and others.

Oh what happy days they were, good and courteous operators, steam radio, no QRM, no software crashes and particularly

no Economists. The only bloke in space who regularly visited the moon was Mad Charlie after his binge-up on pay nights!

Recently I received notification in the form of a standard letter from the SARL stating that I was first licensed on 30th December 1899. The letter goes on to misquote my identity number and claims that I am a member of PEB, which presumably means PE Branch!!!! (wot no PEARS).

There are times when I regret having attained century status but, at other times, am simply delighted that my years are numbered and I will not have to bear for much longer, the burden of other people's inefficiency!

Whilst Judy is very disturbed to find out that she is married to such an ancient old codger, I have been able to pacify her by promising her that when I am gone, she can take over the running of the Wrinkly Ravers.

P.S. – Fred, old sport, on what date in 1899 were you licensed? For all you know, you could still be comforted by the fact that I'm older than you?

QXS goes STEREO!

I found the 3D on TV a little disappointing. True, objects appeared to be at various depths, but the objects themselves were still fairly two-dimensional, lacking real 3D form.

We bring you our own bit of 'flat' 3D

Hold a stiff A4 (or better) card or sheet of paper

vertically on the dashed line between the two panels so that your left eye cannot see the righthand panel and vice versa. Focus some distance *beyond* the page, as if

looking *through* the panels (you tend to do this when daydreaming). Some people find it easier to *squint* rather (i.e. focus *closer*

than the paper) *without* using the stiff card.

Either way, when focussed at a suitable distance you should see a clear single panel. Now, examine the text and you

should find that the words – and the letters on the second line – appear to lie at different depths relative to one another.

Remember, you saw it in QSX-PE! 

QXS-PE
is the
NEWSLETTER
of
PEARS

QXS-PE
is the
NEWSLETTER
of
PEARS